

GPA | 24 V 750 W



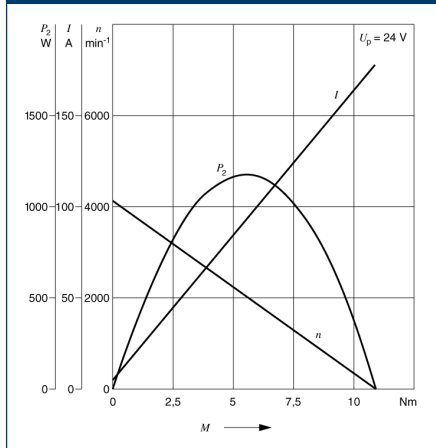
Technical data

Part number	0 130 302 014
Nominal voltage	U_N 24 V
Nominal power	P_N 750 W
Nominal current	I_N 40 A
Nominal speed	n_N 3300 min ⁻¹
Nominal torque	M_N 2,2 Nm
Breakaway torque	M_A 11 Nm
Direction of rotation	L/R
Type of duty	S 1
Degree of protection	IP 10
Weight	approx. 3,80 kg

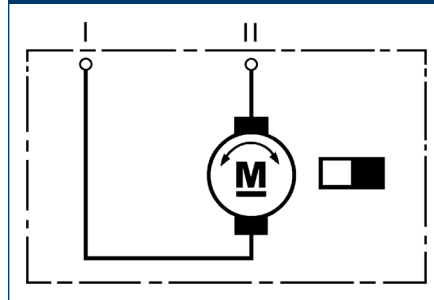
I = red, II = black.
 Clockwise
 Counterclockwise

(-) to I, (+) to II.
 (+) to I, (-) to II.

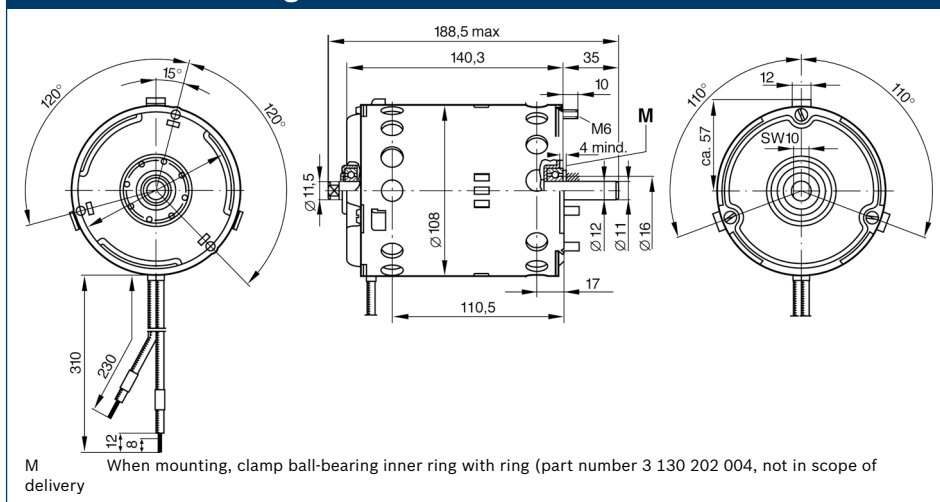
Characteristic curve



Connection diagram



Dimensional drawing



Robert Bosch GmbH
 Automotive Aftermarket
 Postfach 410960
 76225 Karlsruhe
 Germany

www.bosch-elektromotoren.de



BOSCH
 Invented for life