

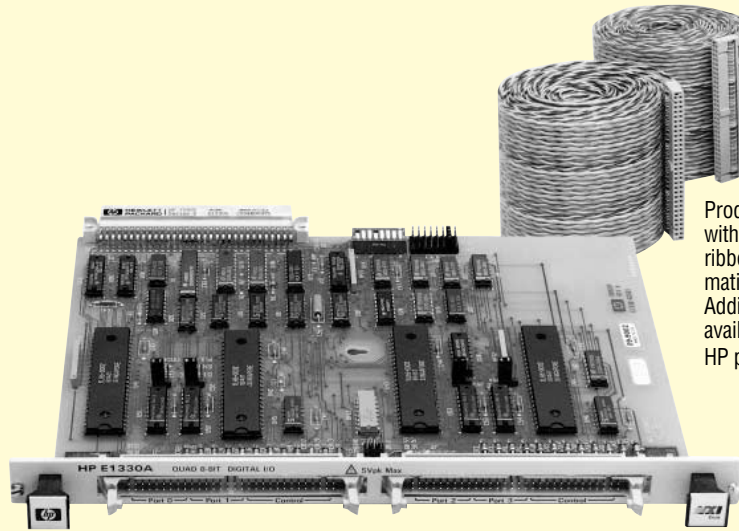
Quad 8-Bit Digital Input/Output HP E1330B

- Quad 8-bit input or output data ports
- Interface to industry standard opto-isolator racks for isolation
- Standard GPIO handshake modes (None, Leading edge, Trailing edge, Pulse, Partial, and Strobe)
- Wide variety of output data types: Decimal, Binary, Octal, and Hexadecimal

Module Size-Slots	B-1
Message- or Register-based	RB
HP Foundations Supported	All
VXI plug&play Frameworks Supported ⁽¹⁾	WIN, WIN95, HP-UX



(1) Availability: WIN 6/96, WIN95 3/96, HP-UX 6/96.



Product is supplied with two each 2-meter ribbon cables with mating connectors. Additional cables available by ordering HP p/n E1330-61601.

The HP E1330B Quad 8-bit Digital Input/Output module is a four-port digital input/output module intended for data communication and digital control. Each port is identical and consists of data and handshake/control lines.

Data Lines

Each 8-bit port can be configured for output or input and positive or negative true logic. Ports can be combined allowing data transmission using bytes, words (16-bit), and long words (32-bit). Bit data transmissions are also allowed.

Handshake and Control Lines

Three handshake and control lines are provided for each port when using SCPI programming. These lines provide the following functions:

- FLG** Flag line. Data handshaking line input to the digital I/O module.
- CTL** Control line. Data handshaking line output by the digital I/O module.
- I/O** Input/output status line. Output line on the module describing the current status of the port.

The flag line from each of the individual ports can be used independently, or they can be combined when using word or long-word data transmission.

Each port has three additional control lines available for custom handshaking and interrupt functions: **PIR** (peripheral interrupt), **/RES** (peripheral reset), and **STS** (status). Control of these three lines is accomplished using register-based programming.

C-size Adapter

For adapting this product to a C-size mainframe, refer to the **HP E1403B** description in Chapter 12.

SPECIFICATIONS

Logic Levels:

TTL Compatible, 5 V max

Data Lines

Output characteristics:

I_{out} (High): -5.2 mA @ V_{out} = 2.5 V (Pullup Enabled)

I_{out} (Low): 48 mA @ V_{out} = 0.5 V

Input characteristics:

I_{in} (High): <2.5 mA @ V_{in} = 2.5 V

I_{in} (Low): <-3.2 mA @ V_{in} = 0.4 V

V_{in} (High): >2.0 V (5.0 V max)

V_{in} (Low): <0.8 V

Handshake Lines

Output characteristics:

I_{out} (High): 250 μA @ V_{out} (High) = 5 V

I_{out} (Low): 40 mA @ V_{out} (Low) = 0.7 V

I_{out} (Low): 16 mA @ V_{out} (Low) = 0.4 V

Input characteristics:

V_{in} (High): >2.0 V

V_{in} (Low): <0.8 V

I_{in} (Low): <1.75 mA

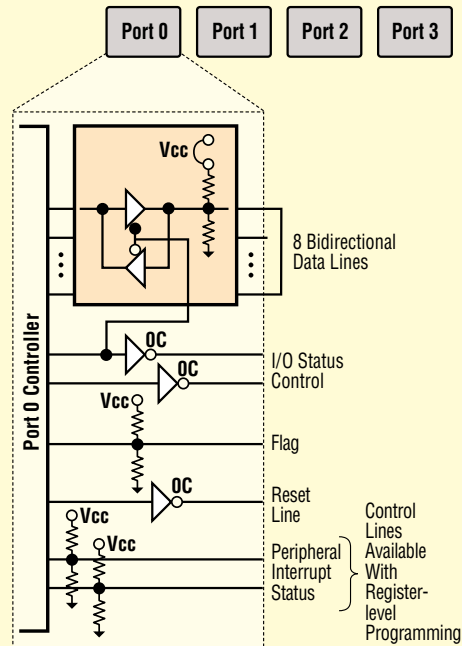
Block Mode Transfers

8-bit wide: @ 90 KB/s

32-bit wide: @ 325 KB/s

Power Requirements

See Module Power and Cooling Information Table in **Appendix A-1**.



Ordering Information

Quad 8-bit Isolated Digital Input/Output

(includes two ribbon cables/connectors)HP E1330B

• Warranty conversion to 1-year on-site.....Opt W01

Extra Ribbon Cable and Connector.....E1330-61601

